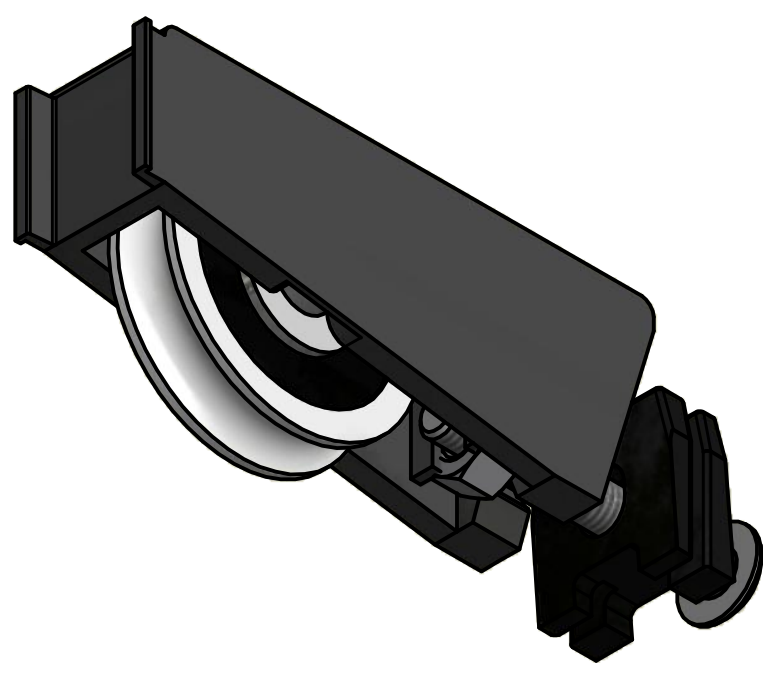
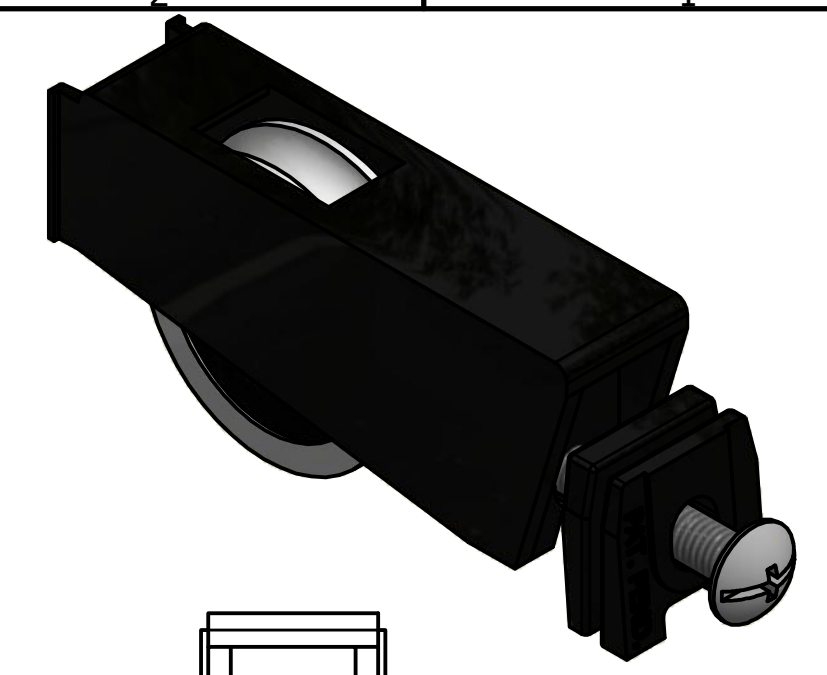
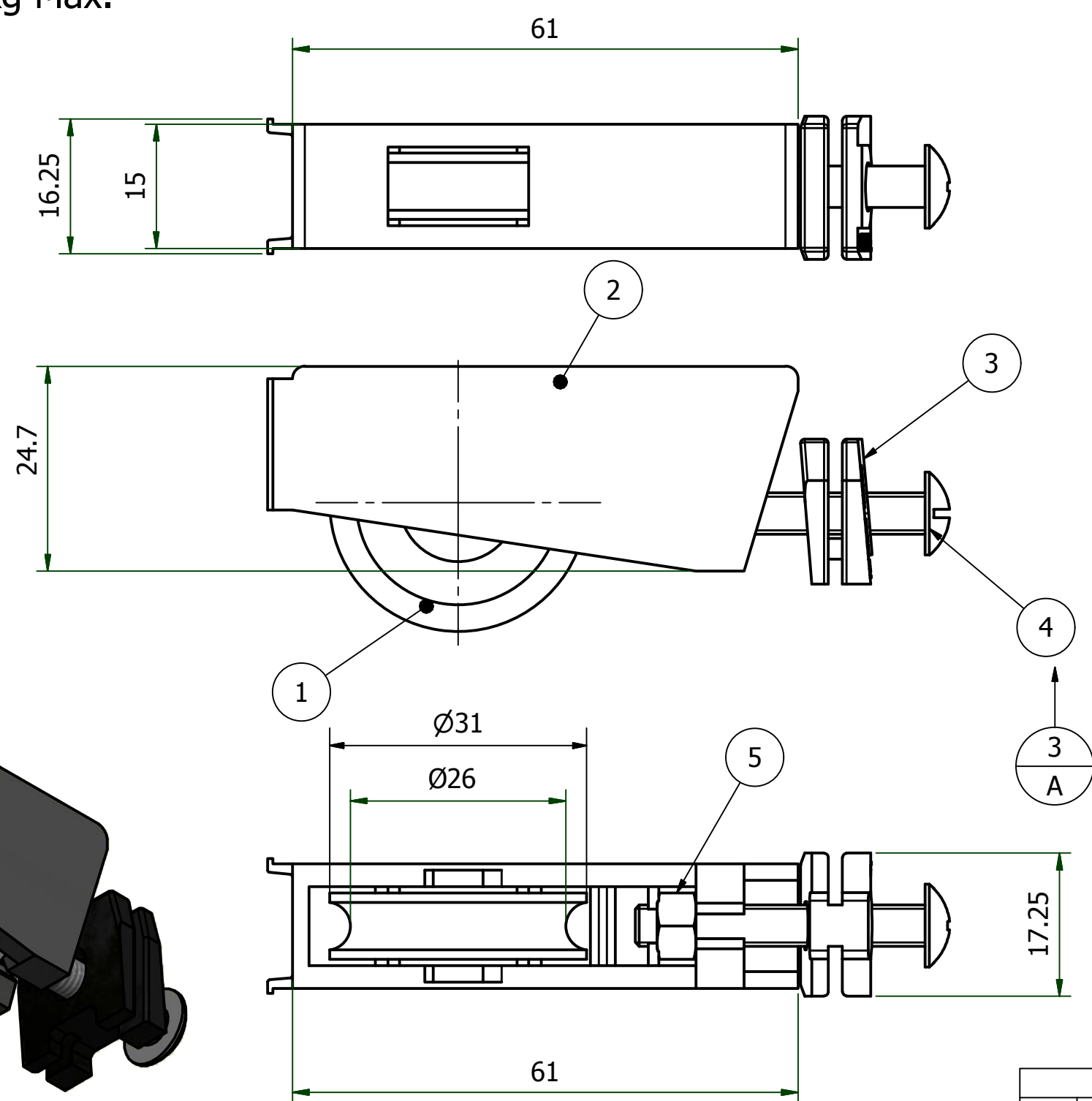


LOAD RATING: 45kg Max.



REVISION HISTORY				
REV	REF	DESCRIPTION	DATE	APPROVED
3	A	CHANGED TO MUSHROOM COM HEAD SCREW AND REMOVE STAINLESS STEEL WASHER	2/03/2015	R.JAMES

Parts List				
IT	QTY	PART NUMBER	DESCRIPTION	
1	1	Wheel	Nylon Tyred Bearing Rubber Seals	
2	1	Outer Carriage	Glass Reinforced Nylon - Black	
3	1	M-H095 -V4	Nylon Wedge	
4	1	M-324- Com Head Screw	M5 x 35 Stainless Steel	
5	1	M5 x 0.8	Stainless Steel Hex Nut	

Designed by Robert James	Checked by	Approved by	Date 2/03/2015	Dwg. No.
		Title 45-324-NA SLIDING DOOR ROLLER ASSEMBLY		
		Part Number 45-324-NA	Edition 3	Sheet 1 / 1